

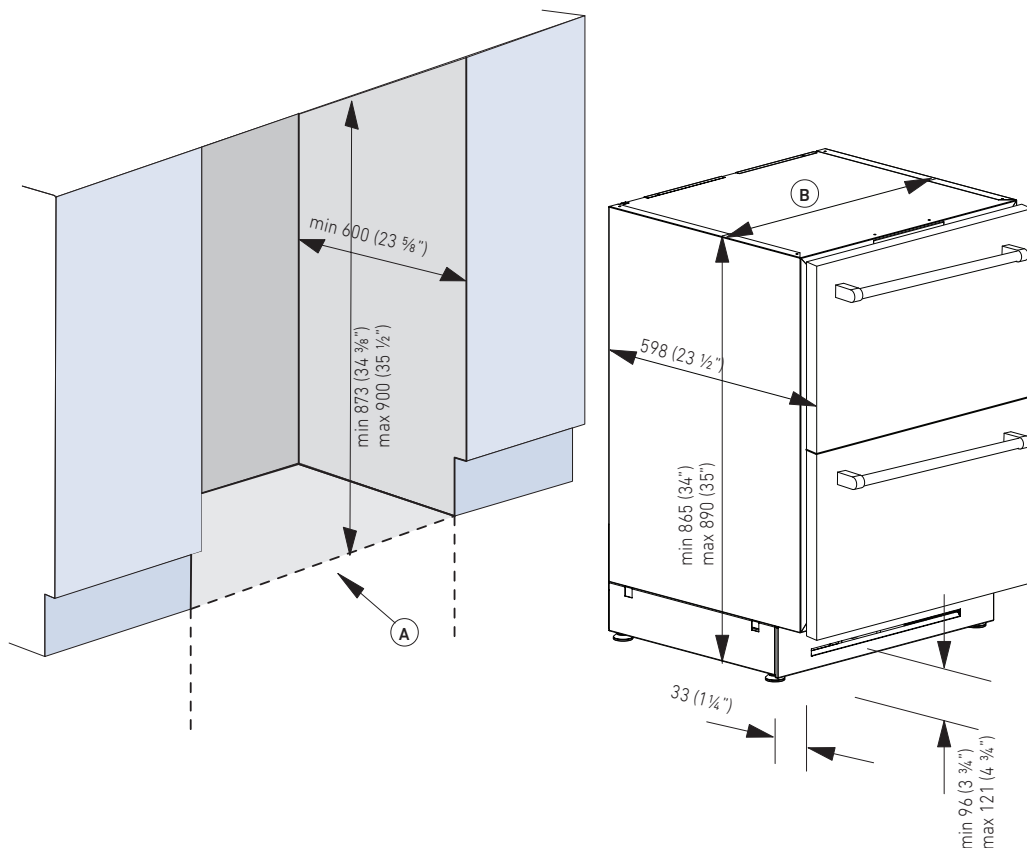
UC2D90PO

90 cm, TRIMODE - PREMIUM OUTDOOR, Model
BUILT-IN

UNDERCOUNTER® SERIE

NICHE SPECIFICATIONS AND DIMENSIONS

Fhiaba



TECHNICAL DATA	
Niche Width A (mm)	900
Unit Width B (mm)	898

Panel Dimensions



Integrated Panel Recommendations

Panels with thickness ranging between 18 mm and mm.
Panels with weight max of 12 kg. Provide installation of decorative panels during installation of the unit.