

FISHER & PAYKEL

DATA SHEET 600mm Integrated Single DishDrawer™ Tall

Model no:
DD60ST19, DD60SHT19

Product Dimensions	mm
Ⓐ Overall height* of DishDrawer™	454
Ⓑ Overall width* of DishDrawer™	599
Ⓒ Depth of DishDrawer™ chassis*	553
Ⓓ Depth of drawer (open) (measured from front datum)*	527

* Does not include the custom drawer panel or handle to be manufactured and fitted by cabinetmaker.

Note: Service outlet at rear extends both sides, hoses and cords can be routed to either or both.

Minimum Clearances	mm
Minimum inside height of cavity from bottom datum	456
Minimum inside width of cavity	600
Minimum inside depth of cavity from front datum	560
Minimum height of ventilation gap under custom drawer panel with external venting kit installed	2
Minimum gap from top of custom drawer panel to bottom of benchtop	2
Minimum clearance from a corner cupboard	13

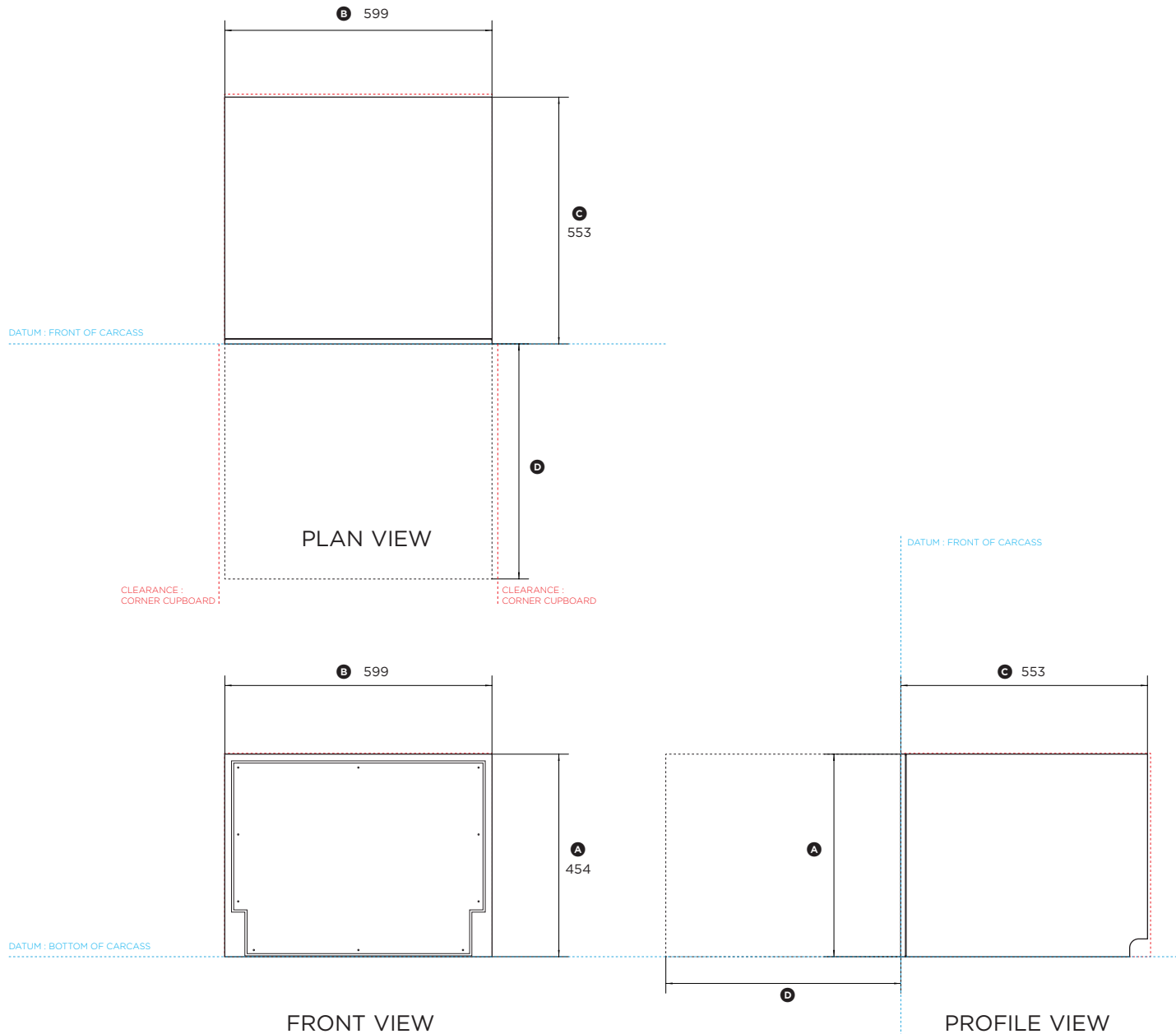
NOTE: If using External Venting Kit and venting into the toe-kick area, a minimum toe-kick height of 100mm is required to prevent pooling of condensation.

NOTE: This Dishdrawer™ has also been designed to fit a 480mm high cavity. For full details please refer to the installation manual.

INDICATES CABINETRY / PRODUCT DATUM -----
INDICATES CABINETRY CLEARANCES - - - - -

DATE: **28.05.2018**

IMPORTANT NOTE: Throughout this guide, dimensions may vary by ±2mm (1/16"). Please read the installation manual for detailed information on installing the product. For full installation instructions & specifications visit fisherpaykel.com



FISHER & PAYKEL

CUSTOM PANEL PREPARATION 600mm Integrated Single DishDrawer™ Tall

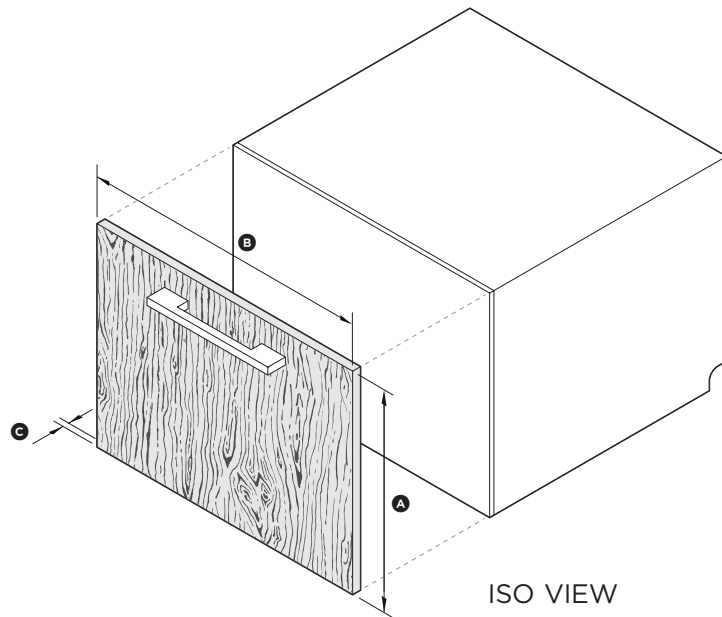
Model no:
DD60STI9, DD60SHTI9

Dimensions	mm
Ⓐ Minimum height of drawer panel*	452
Ⓑ Width of drawer panel	596 - 615
Ⓒ Depth of front panel	16-20
Ⓓ Minimum height of ventilation gap below front panel*	2
Maximum weight of each drawer panel (including handle)	
	9 kg

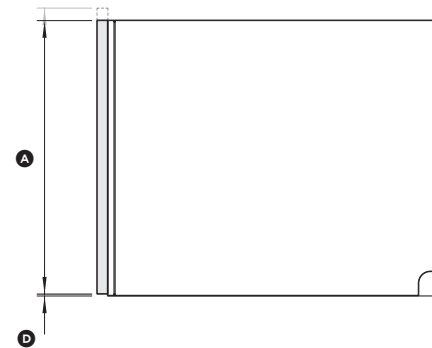
* For 456mm cavity height and 2mm ventilation gap below drawer panel with external venting kit installed.
Drawer panel may be extended upwards to fit taller cavity. See installation instructions for full clearance details.

NOTE: If using External Venting Kit and venting into the toekick area, a minimum toekick height of 100mm is required to prevent pooling of condensation.

456mm CAVITY HEIGHT

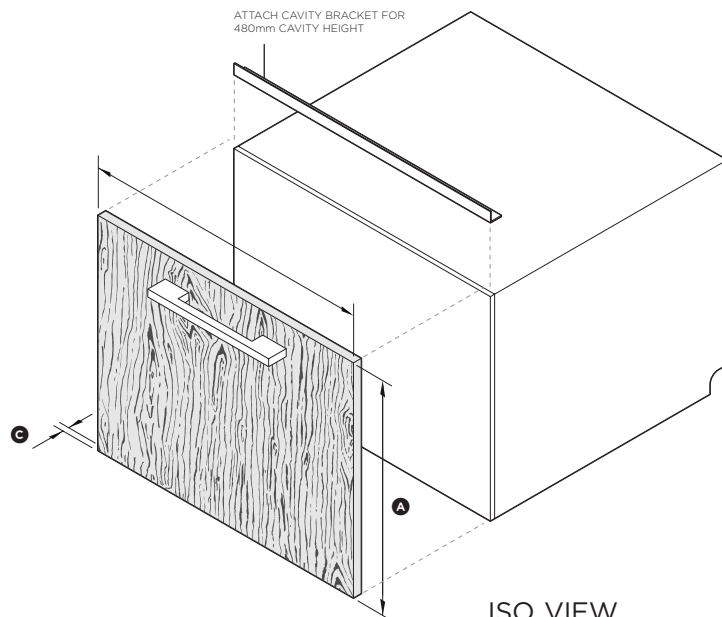


ISO VIEW

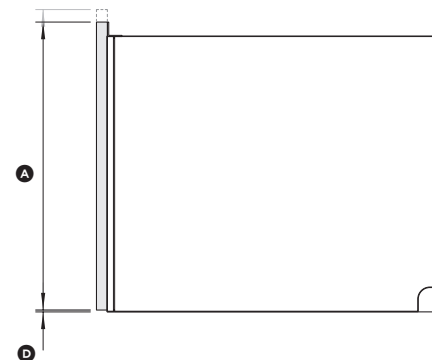


PROFILE VIEW

480mm CAVITY HEIGHT



ISO VIEW



PROFILE VIEW

Dimensions	mm
Ⓐ Minimum height of drawer panel*	476
Ⓑ Width of drawer panel	596 - 615
Ⓒ Depth of front panel	16-20
Ⓓ Minimum height of ventilation gap below front panel*	2
Maximum weight of each drawer panel (including handle)	
	9 kg

* For 480mm cavity height and 2mm ventilation gap below drawer panel with external venting kit installed.
Drawer panel may be extended upwards to fit taller cavity. See installation instructions for full clearance details.

NOTE: If using External Venting Kit and venting into the toekick area, a minimum toekick height of 100mm is required to prevent pooling of condensation.

DATE: **28.05.2018**

IMPORTANT NOTE: Throughout this guide, dimensions may vary by $\pm 2\text{mm}$ (1/16"). Please read the installation manual for detailed information on installing the product. For full installation instructions & specifications visit fisherpaykel.com