

Installation instructions

IZONA CoolDrawer

RB90S & RB36S models

Fisher & Paykel
innovative living

FRAMELESS CABINETS

Important!

SAVE THESE INSTRUCTIONS

The models shown in this document may not be available in all markets and are subject to change at any time. For current details about model and specification availability in your country, please go to our website www.fisherpaykel.com or contact your local Fisher & Paykel dealer.

① SAFETY AND WARNINGS

⚠ WARNING!



Electrical shock hazard

Disconnect product from main power supply before installing appliance.

Failure to do so may result in electrical shock or death

⚠ WARNING!



Cut hazard

Take care - panel edges are sharp.

Failure to use caution could result in injury or cuts.

⚠ WARNING!



Tipping hazard

Do not operate this appliance until it has been securely anchored inside the cabinetry. The cabinet must be securely anchored to the floor.

Failure to use caution could result in injury or cuts.

- The CoolDrawer **MUST** be installed to allow for future removal from the enclosure if service is required. Do not seal the CoolDrawer into the cabinetry with silicone or glue. Doing so will make future servicing difficult. Fisher & Paykel will not be liable for any costs associated with removing or replacing a sealed-in product, nor for repairing any damage that may be incurred by doing this.
- Care should be taken when the appliance is installed or removed to reduce the likelihood of damage to the power supply cord.
- Failure to install the CoolDrawer correctly will invalidate any warranty or liability claims.
- If the power supply cord is damaged, it must be replaced. Parts are available from your Authorised Fisher & Paykel dealer.
- This appliance is not intended for use by persons (including children) with reduced physical, sensory or mental capacities, or lack of experience and knowledge unless they are supervised or given instruction concerning use of the appliance.
- Cabinetry must be sufficiently robust to support a combined product and food load of 100 kg. Bearers may be required to support the internal shelf.

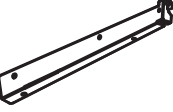



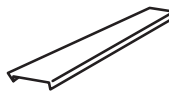





Before you install the CoolDrawer, please ensure that

- The switched power outlet must be outside the refrigerator drawer cavity so that it is accessible after installation.
- The switched power outlet must be located outside the cavity, within 1400 mm from the CoolDrawer cavity if situated on the left-hand side of the cavity and within 850 mm if situated on the right-hand side of the cavity.
- The services hole in the refrigerator cavity needs to be large enough for the power supply plug to fit through.

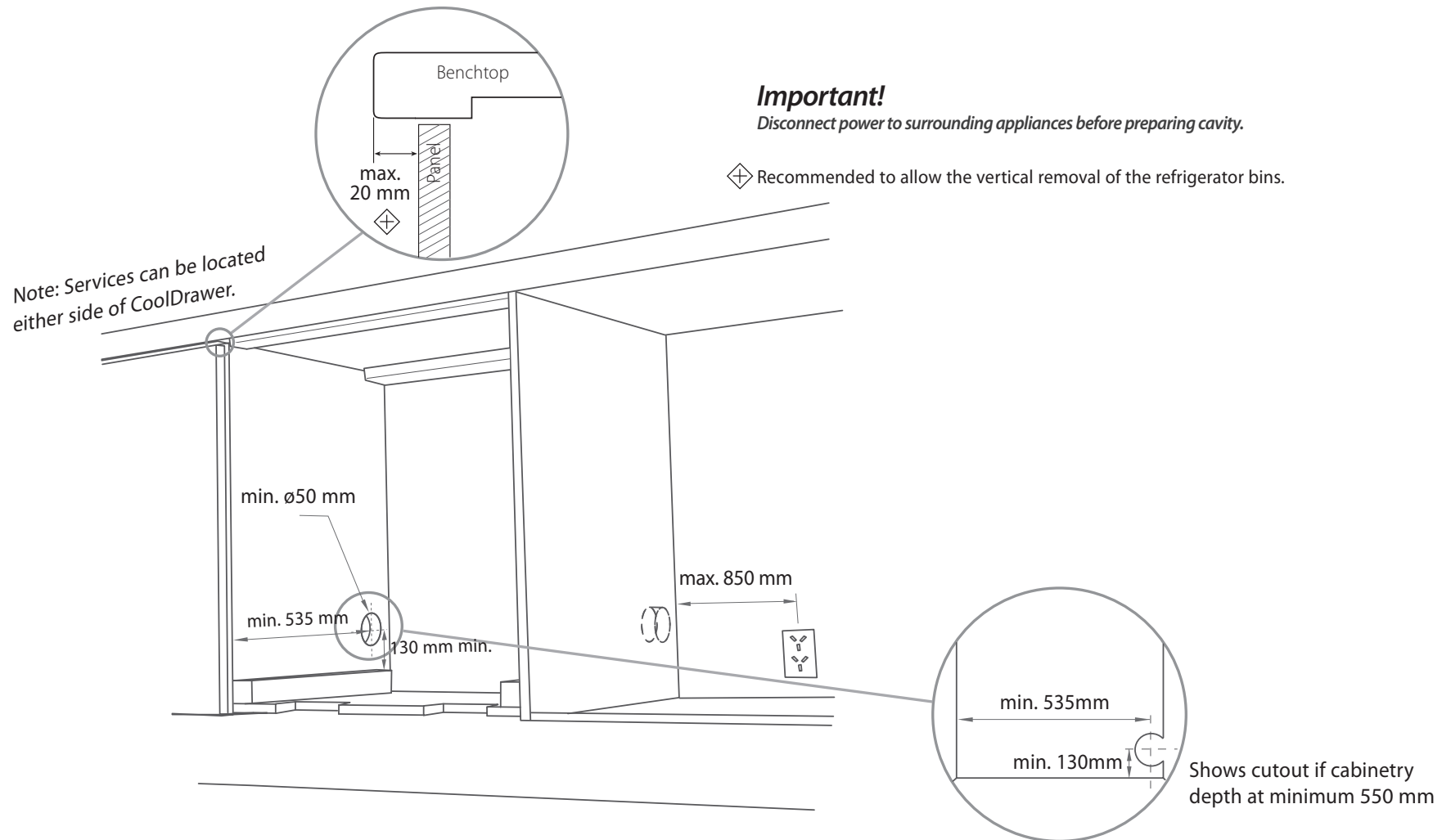
Important safety precautions!

- Installation of the CoolDrawer requires competent mechanical and electrical skills.
- Be sure to leave these Instructions with the Customer.
- Installation must comply with your local building and electricity regulations.
- At the completion of the CoolDrawer installation, the Installer must perform the Final Check List.
- Remove all packaging materials supplied with the CoolDrawer.
- The CoolDrawer is manufactured for indoor use only.

4 PARTS SUPPLIED

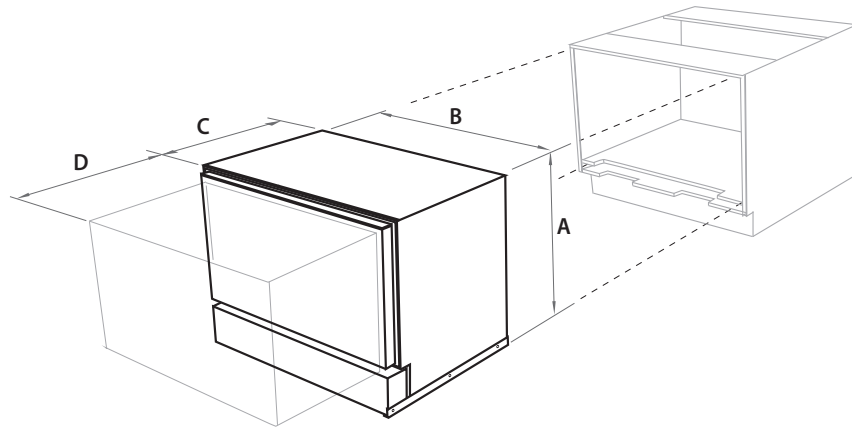
									
Installation brackets (left-hand and right-hand side) (2)	Phillips 16 mm wood screw (6)	Trim brackets (4)	Pan Head 16 mm screw (12)	Installation trims (2)	Power cord (1)	Outlet duct (1)	Pan Head 16 mm screw (2)	Drawer Panel attachment hooks (3)	Phillips 16 mm wood screws (6)

5 CAVITY PREPARATION



② PRODUCT DIMENSIONS

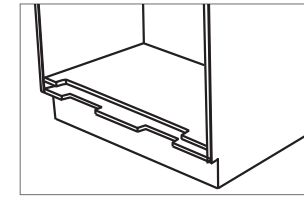
Installation diagrams for illustration purposes only



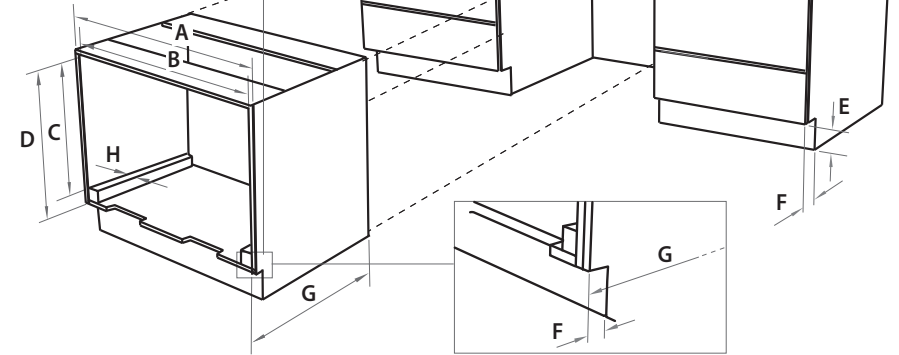
Product dimensions (mm)

	CoolDrawer RB90S RB36S
A overall height of product (inc. installation brackets)	640
B overall width of product	855
C overall depth of product (excl. drawer panel; inc. power cord)	557
D depth of drawer (open) (excl. handle)	520

③ CABINTRY DIMENSIONS



An internal shelf can be used as an alternative to spacer blocks to position the product at the correct height. In this case additional cutouts will be required. Refer to Step 7.



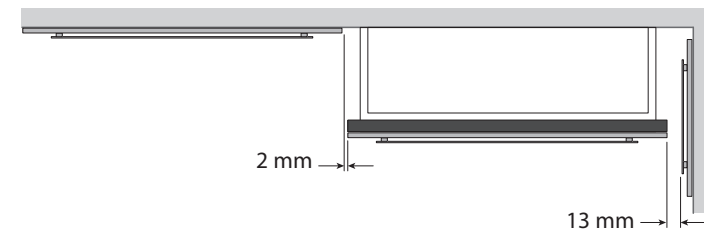
Cabinetry dimensions (mm)

	CoolDrawer RB90S RB36S
A overall width of cabinetry frame	900
B minimum inside width of cabinetry frame	864
C internal height of cabinetry to top of spacer block	644
D internal height of cabinetry* (to allow for product and outlet duct height)	min. 665 max. 764
E minimum height of toe kick	75
F minimum depth** of toe kick	40
G minimum distance from front of cabinetry to rear wall	560
H width of spacer blocks	50

*Minimum internal height of cabinetry can be 644 mm if outlet duct is not used.

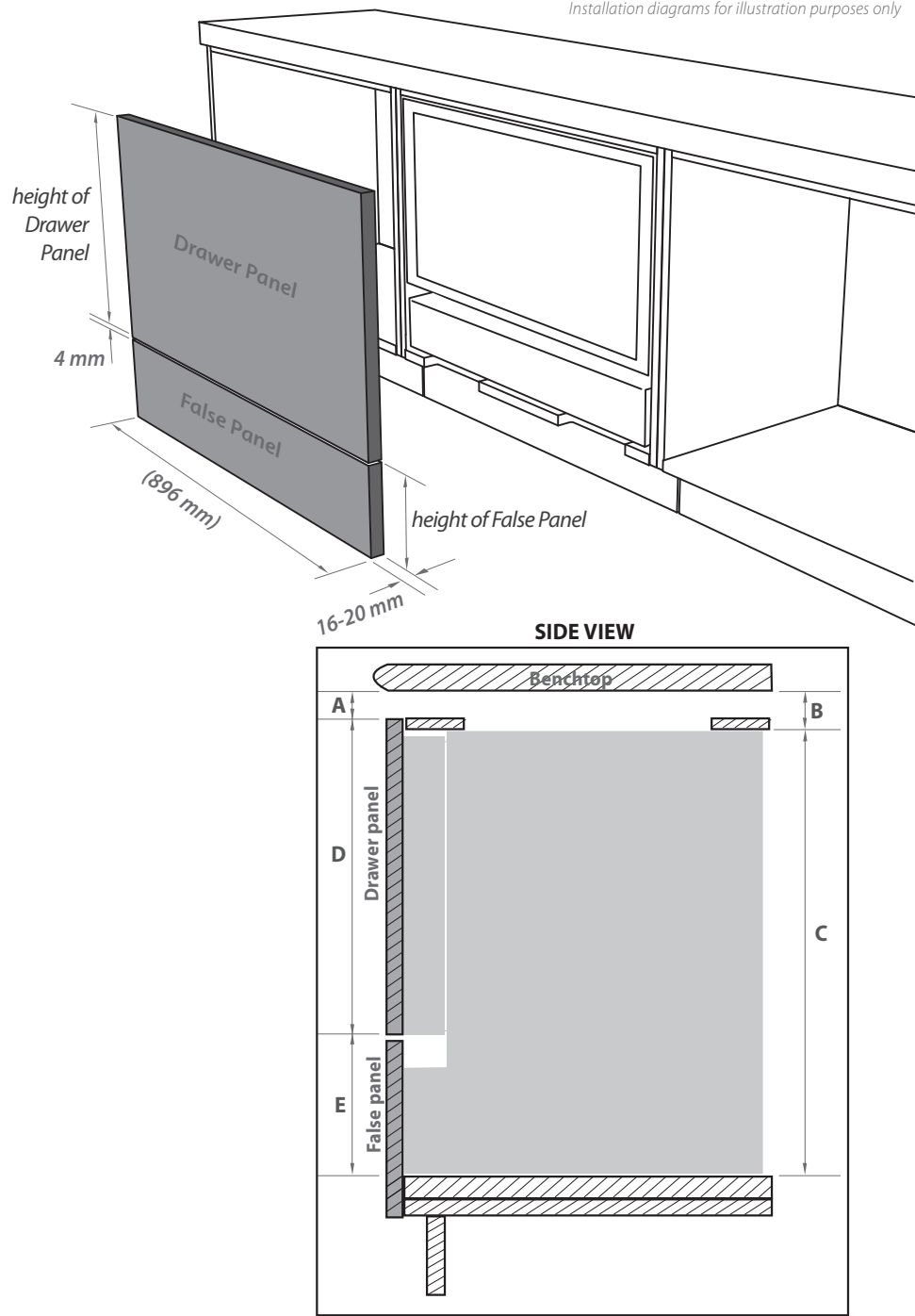
**All depth measurements are taken from the front face of the cabinetry frame (not drawer panel)

Minimum clearances (mm)



⑥ INTEGRATED PANEL PREPARATION

Installation diagrams for illustration purposes only



Integrated Panel material

- 16 - 20 mm panel thickness (18 mm recommended).
- Maximum weight of 7 kg.
- Adequately sealed to withstand moisture (50°C @ 80% RH)

Height of Drawer Panel

- The following information is required to correctly define your drawer panel height:

Dimension	Data Source
A Clearance between top of Drawer panel and underside of benchtop	Your kitchen designer
B Height between underside of cabinetry ceiling and underside of benchtop	Your kitchen designer
C Internal height of cabinetry to top of spacer block	644 mm
D Drawer panel height	Calculated from A, B, C & E
E Bottom face of Drawer panel to top of spacer block (to ensure that bottom cover of product is not exposed)	Your kitchen designer (Min. 154 mm, Max. 184 mm)

To calculate D complete the following equation:

$$D = C + B - A - E$$

i.e. For the F&P prefinished panel:

$$476 \text{ mm} = 644 \text{ mm} + 18 \text{ mm} - 2 \text{ mm} - 184 \text{ mm}$$

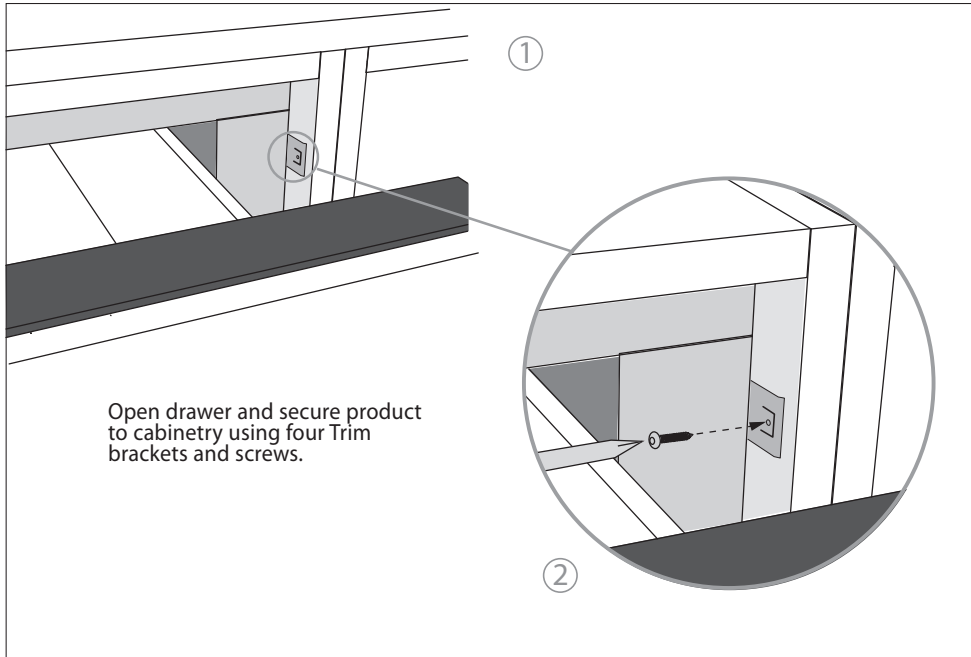
Height of the False Panel

- Determine the height of the false panel according to your individual kitchen cabinetry requirements maintaining a 4 mm gap between panels.

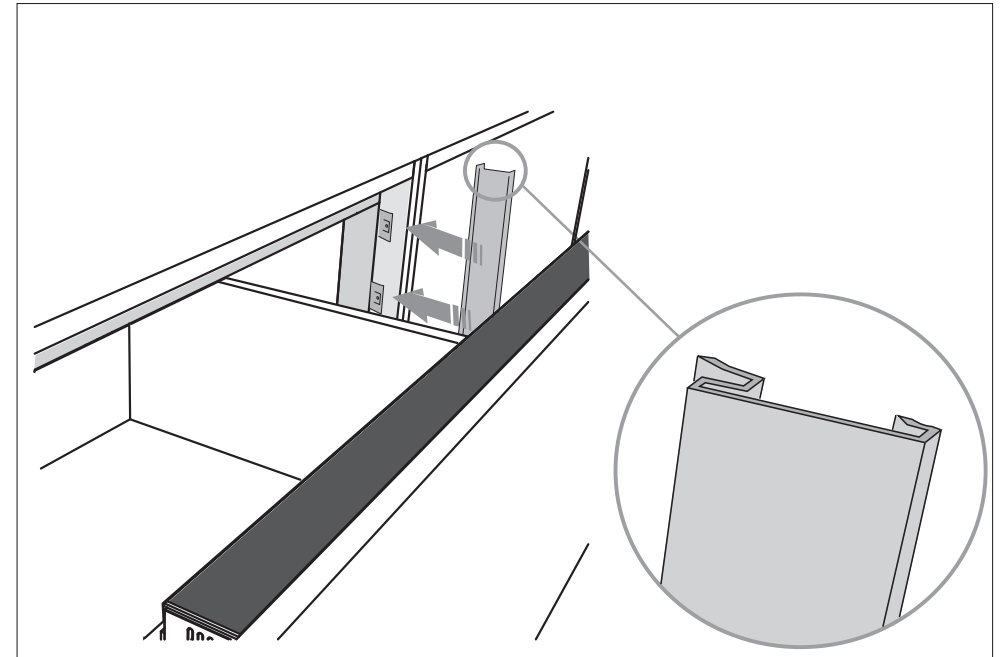
F&P prefinish panel width is 896 mm assuming a 2 mm clearance either side of panel height (D) is 476 mm.

Note B must be min. 16 mm to ensure adequate clearance to benchtop.

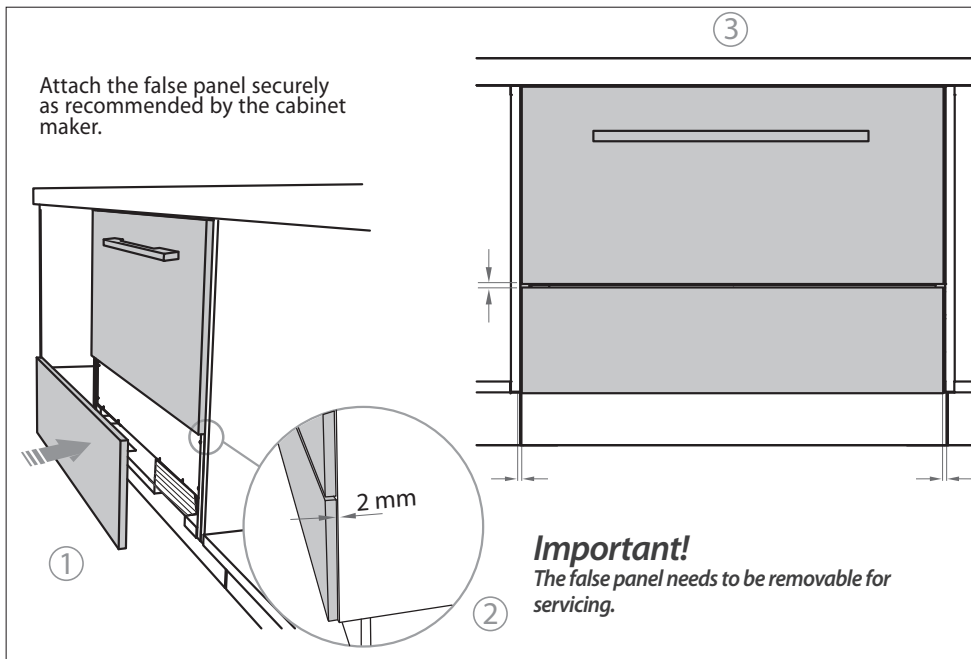
14 SECURE PRODUCT TO CABINETY



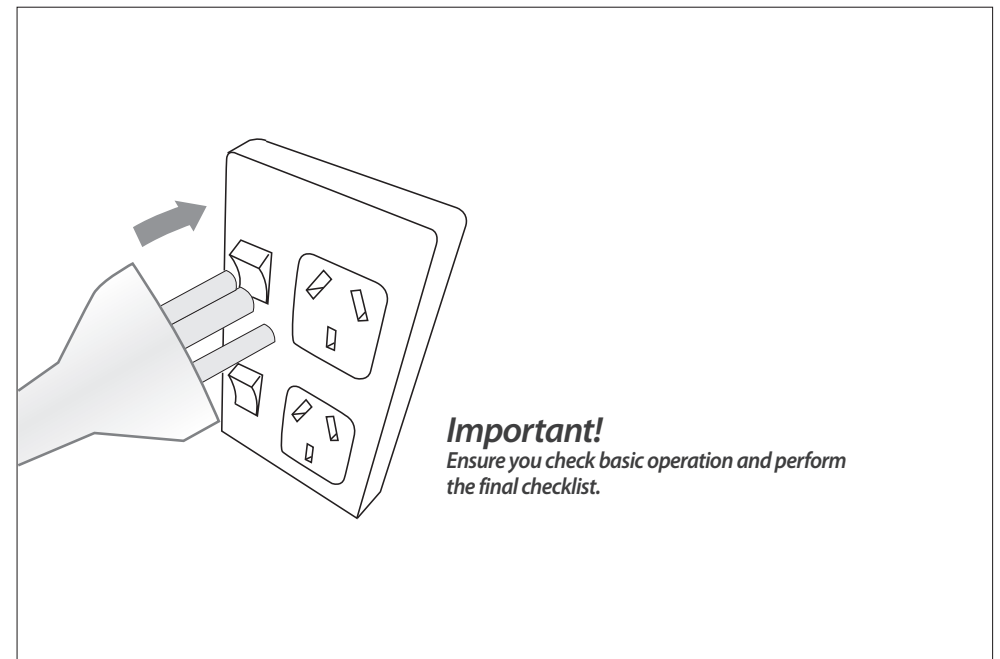
15 ATTACH TRIMS TO SIDES OF CABINETY



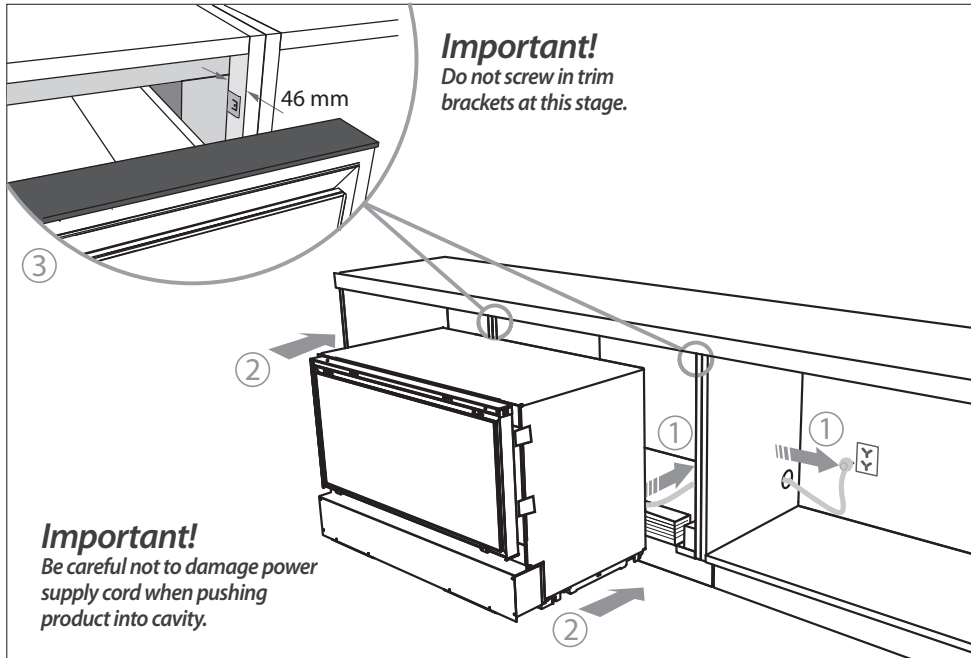
16 ATTACH FALSE PANEL



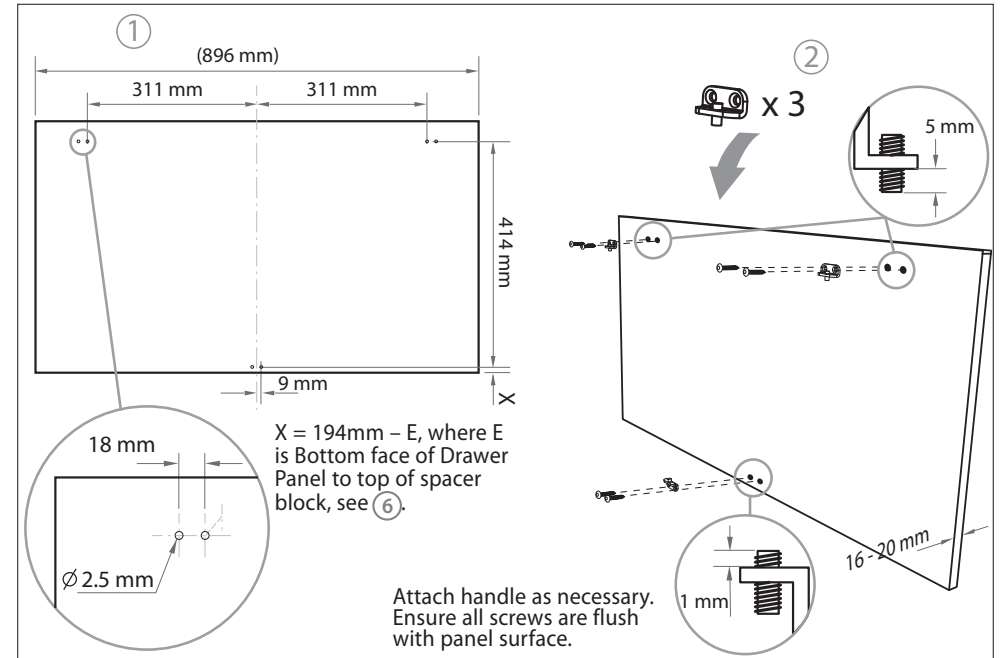
17 CHECK OPERATION



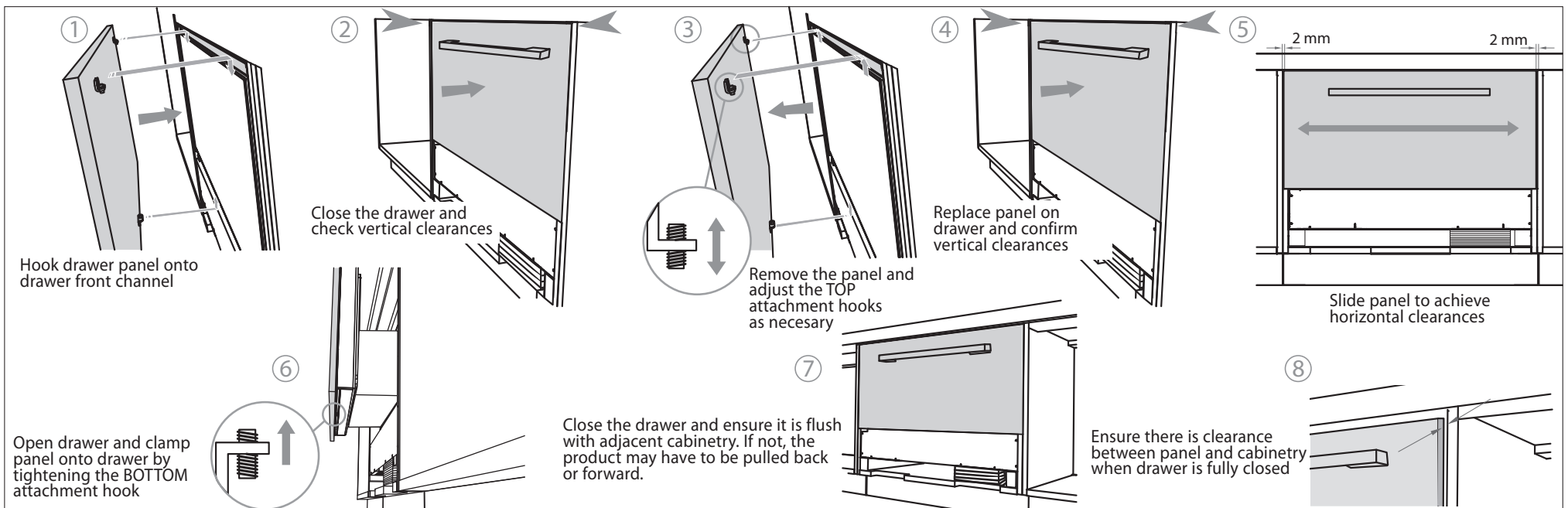
11 MOVE PRODUCT INTO CAVITY



12 FIT DRAWER PANEL ATTACHMENT HOOKS



13 ATTACH DRAWER PANEL TO FRONT OF DRAWER



18 FINAL CHECKLIST

TO BE COMPLETED BY THE INSTALLER



- Has all packaging been removed from the appliance?
- Is the appliance securely fastened to the cabinetry?
- Does the drawer slide freely and close properly?
- Has the outlet duct been installed correctly?
- Is the appliance level?
- Are the panels securely attached?
- Have the panels been properly aligned for correct operation and appearance? Are all clearances even?
- Is there clearance between drawer and cabinetry frame?
- Has the power cord been plugged into a properly earthed 3-prong outlet, which has been installed in accordance with all applicable electrical codes?

OPERATION:

- Is the control panel lit?
- Can you hear the compressor motor running?
- When a hand is placed near the toe kick, can airflow be felt under front right-hand side of appliance?
- Have you demonstrated the basic operation to the customer?

Installer's name: _____

Installer's signature: _____

Installation company: _____

Date of installation: _____

LEAVE THESE INSTRUCTIONS WITH THE CUSTOMER