

Integrated Column Refrigerator, 76cm

Series 9 | Integrated

Panel Ready | Right Hinge

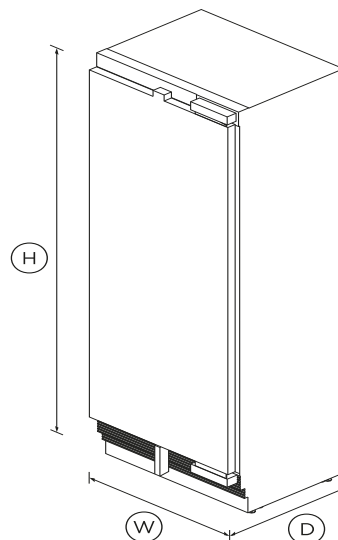


Install it separately or pair with another Column for true design freedom - this model is right hinge with a stylish stainless steel interior.

- ActiveSmart™ technology helps keep food fresher for longer by constantly maintaining the ideal temperature.
- Variable Temperature Zone lets you change a compartment to Fridge, Pantry or Chill for optimal storage
- Customise with your own kitchen cabinetry or purchase our stainless steel door panel accessory

DIMENSIONS

Height	2134mm
Width	756mm
Depth	610mm



FEATURES & BENEFITS

Mix & match

Integrated Column Refrigeration gives you the freedom to mix and match. Different sized Column Fridges and Freezers can be installed separately or paired. Finish them with our stainless steel door panels or customise to match your own kitchen cabinetry.

Perfect fit

These models fit flush, with only 3mm gaps around them and no visible hinges or grilles. Our Integrated Column models can be seamlessly hidden behind your cabinetry, or you can purchase

our stainless steel door panel.

Clever energy

Our ActiveSmart™ Foodcare Fridge Freezers adapt to daily use by cooling and defrosting only when needed. This means your fridge uses the energy it needs without compromising on food care.

Appealing illumination

Bright LEDs light up each ceiling, shelves, bins and trays in both refrigerator and freezer, making it easy to find your food and creating a welcoming glow in your kitchen for those midnight snacks.

Design quality

The premium design and quality finish includes a steel interior lining as well as soft-close, full extension metal shelf runners for easy access and robust glass shelving.

Easy install

Integrated Column Refrigerators and Freezers have been developed to make their installation easy. The joiner kit is included when pairing refrigerators and freezers. All models come with front adjustable levelling feet and they've been designed to easily slide into place as separate units.

SPECIFICATIONS

Accessories

1067mm Stainless steel toe	25393
1220mm Stainless steel toe	25395
1372mm Stainless steel toe kick	25397
1524mm Stainless steel toe	25399
762mm Stainless steel toe kick	25391
Contemporary round handle	25324
Contemporary square handle	25322
Joiner kit	25328

Stainless steel door panel	25314
----------------------------	-------

Capacity

Total net volume	463L
Volume refrigerator	463L

Consumption

Energy consumption	159kWh/year
Energy rating	F

Features

Adjustable door shelves	4
Covered door shelves	1
Door alarm	•
Gallon door shelves	1
LED bin lighting	•
LED ceiling lighting	•
LED side lighting	•
Stackable bottle holders	4

Freezer Features

SmartTouch interface at	•
-------------------------	---

Installation Dimensions

Minimum inside width of	762mm
Minimum internal depth of	635mm
Minimum internal height of	2134mm

Performance

ActiveSmart™ Foodcare	•
-----------------------	---

Adaptive defrost	•
Dual evaporator	•
Frost free	•
Humidity control system	•
Inverter controlled compressor	•
Noise emissions	42dBA
Noise emissions class	D
Sabbath mode	•
Variable food modes	Pantry; Fridge; Chill
Variable temperature zones	2

Power requirements

Rated current	10A
Supply frequency	50Hz
Supply voltage	230V

Product dimensions

Depth	610mm
Height	2134mm
Width	756mm

Product information

Packaged weight	156kg
Unpackaged weight	133kg

Warranty

Parts and labour	5 years
------------------	---------

SKU	25643
-----	-------

TEST The product dimensions and specifications in this page apply to the specific product and model. Under our policy of continuous improvement, these dimensions and specifications may change at any time. You should therefore check with Fisher & Paykel's Customer Care Centre to ensure this page correctly describes the model currently available. ? Fisher & Paykel Appliances Ltd 2020



A PEACE OF MIND SALE

24 Hours 7 Days a Week Customer Support

T 08000886605 W www.fisherpaykel.com